

## GENERAL INFORMATION

Project Name: \_\_\_\_\_

## STANDARD SPECIFICATIONS

- Finish: Gray
- Remote Infinite Switch
- Housing: Aluminum Extrusion

## OPTIONS AND ACCESSORIES

### OPTIONAL FINISHES

- Gloss Black

Warmer housing is an aluminum extrusion. The housing for warmers is only available in grey or gloss black. Please contact BSI for further information.

### WIRING EXIT POINT OPTIONS

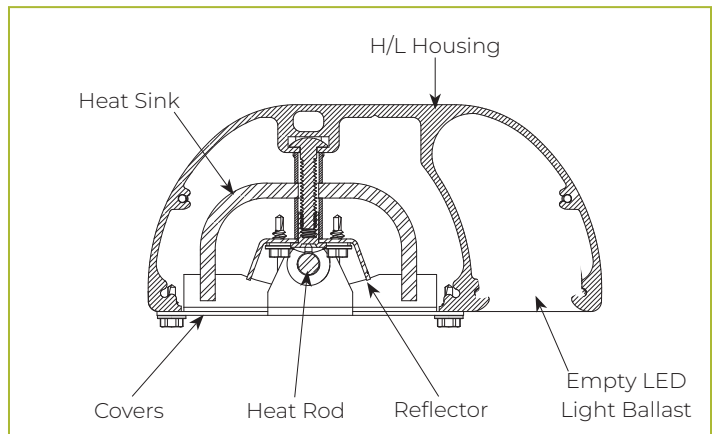
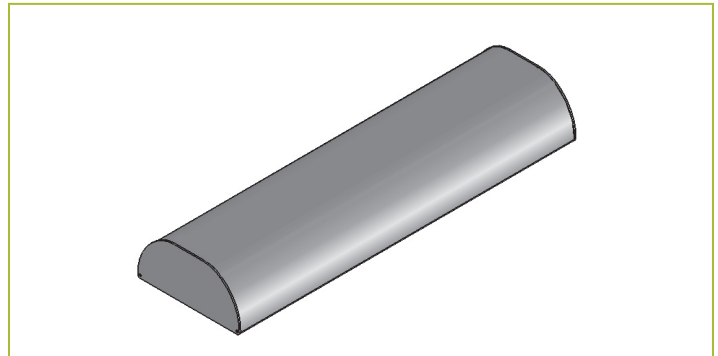
- Top
- Left Side
- Right Side

MODEL NUMBER	OA HOUSING	VOLTS	FREQ.	AMPS @110V	WATTS
790-120-18	22"-27"	120	50/60Hz	2.9	350
790-120-24	28"-33"	120	50/60Hz	4.2	500
790-120-30	34"-39"	120	50/60Hz	5.5	660
790-120-36	40"-45"	120	50/60Hz	6.7	800
790-120-42	46"-51"	120	50/60Hz	7.9	950
790-120-48	52"-57"	120	50/60Hz	9.2	1100
790-120-54	58"-63"	120	50/60Hz	10.4	1250
790-120-60	64"-69"	120	50/60Hz	11.7	1400
790-120-66	70"-75"	120	50/60Hz	13.0	1560
790-120-72	76"-81"	NOT AVAILABLE IN 120 VOLTS			

MODEL NUMBER	OA HOUSING	VOLTS	FREQ.	AMPS @110V	WATTS
790-208-18	22"-27"	NOT AVAILABLE IN 208 VOLTS			
790-208-24	28"-33"	208	50/60Hz	2.4	500
790-208-30	34"-39"	208	50/60Hz	3.2	660
790-208-36	40"-45"	208	50/60Hz	3.9	800
790-208-42	46"-51"	208	50/60Hz	4.6	950
790-208-48	52"-57"	208	50/60Hz	5.3	1100
790-208-54	58"-63"	208	50/60Hz	6.0	1250
790-208-60	64"-79"	208	50/60Hz	6.7	1400
790-208-66	70"-75"	208	50/60Hz	7.5	1560
790-208-72	76"-81"	208	50/60Hz	8.3	1725

## 790

### Stealth Warmer



MODEL NUMBER	OA HOUSING	VOLTS	FREQ.	AMPS @110V	WATTS
790-240-18	22"-27"	NOT AVAILABLE IN 240 VOLTS			
790-240-24	28"-33"	240	50/60Hz	2.1	500
790-240-30	34"-39"	240	50/60Hz	2.8	660
790-240-36	40"-45"	240	50/60Hz	3.3	800
790-240-42	46"-51"	240	50/60Hz	3.9	950
790-240-48	52"-57"	240	50/60Hz	4.6	1100
790-240-54	58"-63"	240	50/60Hz	5.2	1250
790-240-60	64"-69"	240	50/60Hz	5.8	1400
790-240-66	70"-75"	240	50/60Hz	6.5	1560
790-240-72	76"-81"	240	50/60Hz	7.2	1725